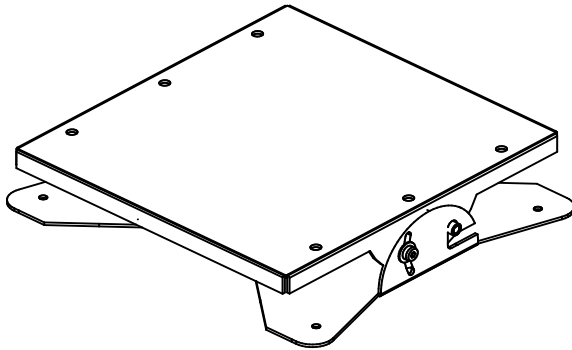




**Ceiling mount for Large Projector  
(RZ201743)  
INSTALLATION MANUAL**



[www.dreamvision.net](http://www.dreamvision.net)

**Date:** 01102017

**Rev:** 01

**Part. No.:** R699871

### Safeguards:

- This product is designed to be used in private homes.
- Correct assembly is essential for the long life and functionality of this product.
- Installing the Ceiling Mount should be performed only after you are thoroughly familiar with all of the following safety checks and Installation Instructions. To do otherwise increases the risk of hazards and injury to the user.
- This support is designed for intense use, only with projectors. Use with any non supported appliance may result in instability causing possible injury.
- Do not modify and/or replicate any component.

### Before assembly:



- It is expressly recommended to have installation carried out by a specialist.
- Make sure that the quality of the ceiling is sufficient to hold the weight of the projector plus that of the mount. If there is any doubt regarding the condition and load of the ceiling, please consult a specialist.

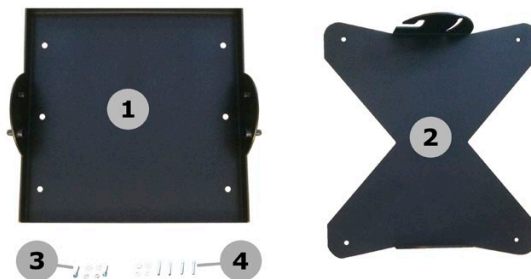
**-It is imperative that the ceiling plate (1) is installed using all the 6 fixation holes. And that it is suspended using the adequate anchoring technique to sustain an important charge such as injection pegs or coach/lag screws.**

- Make sure that there are no electricity cables or gas/water pipes in the ceiling.
- The fixing materials must be suitable for the type of wall so that the maximum load can be guaranteed. For this reason no fixing materials have been included with the ceiling mount. Please check a specialist, giving the relevant details.
- Dreamvision will accept no liability for damages caused by incorrect assembly or by improper use, in particular for not complying with the previous cautions.**

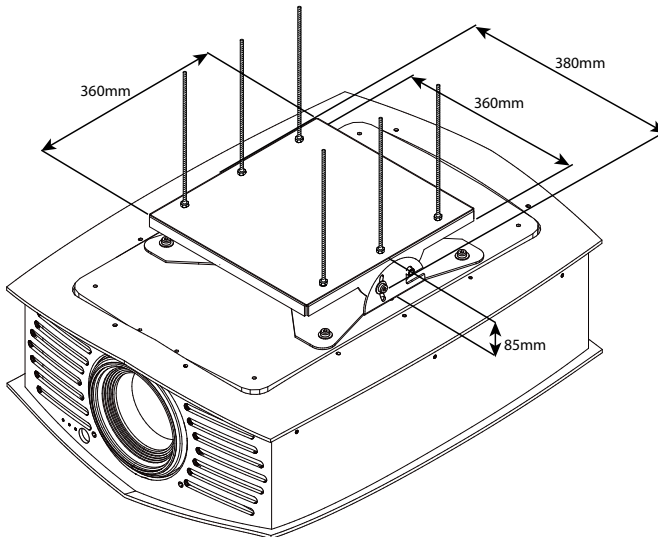
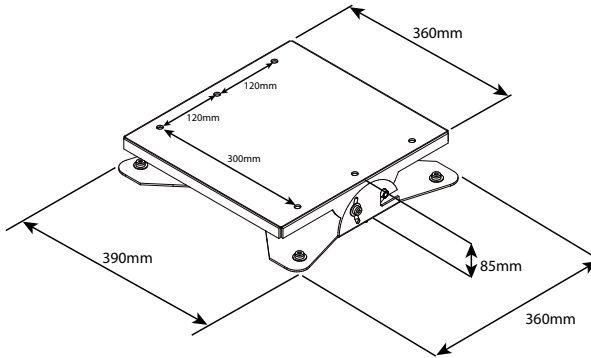
### Kit Content:

The ceiling mount kit contains the following parts:

Indication	Description	Quantity
(1)	Ceiling plate	1
(2)	Support plate (projector plate)	1
(3)	Bolt M6x20	2
	M6 flat and overlap washers	2 + 2
(4)	Bolt M5x25	4
	M5 flat washer	4



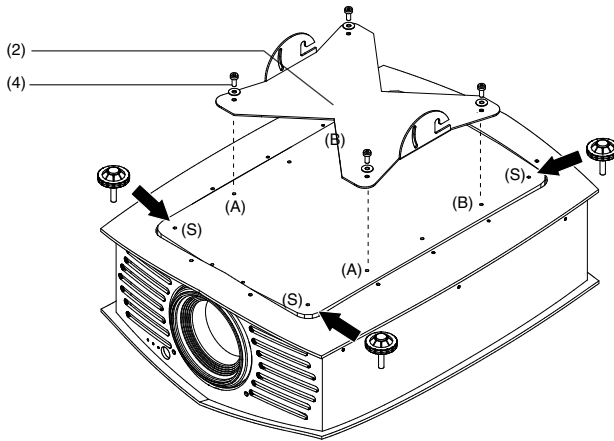
## Dimensions:



## Assembly Instructions:

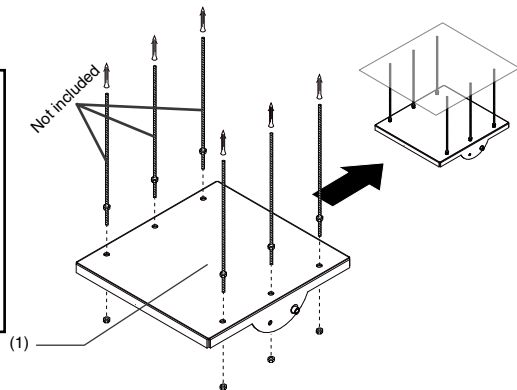
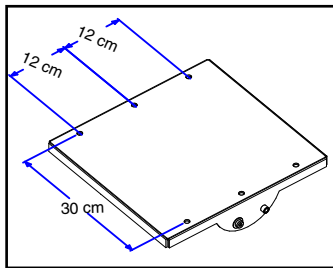
### Preparing the projector support plate

1. Remove the original 4 feet from the front (A) holes and (B) holes. You can place them in the (S) holes for storage if needed.
2. Assemble the projector plate (2) to the bottom of the projector using the four bolts (4) M5x25 with M5 flat washers.



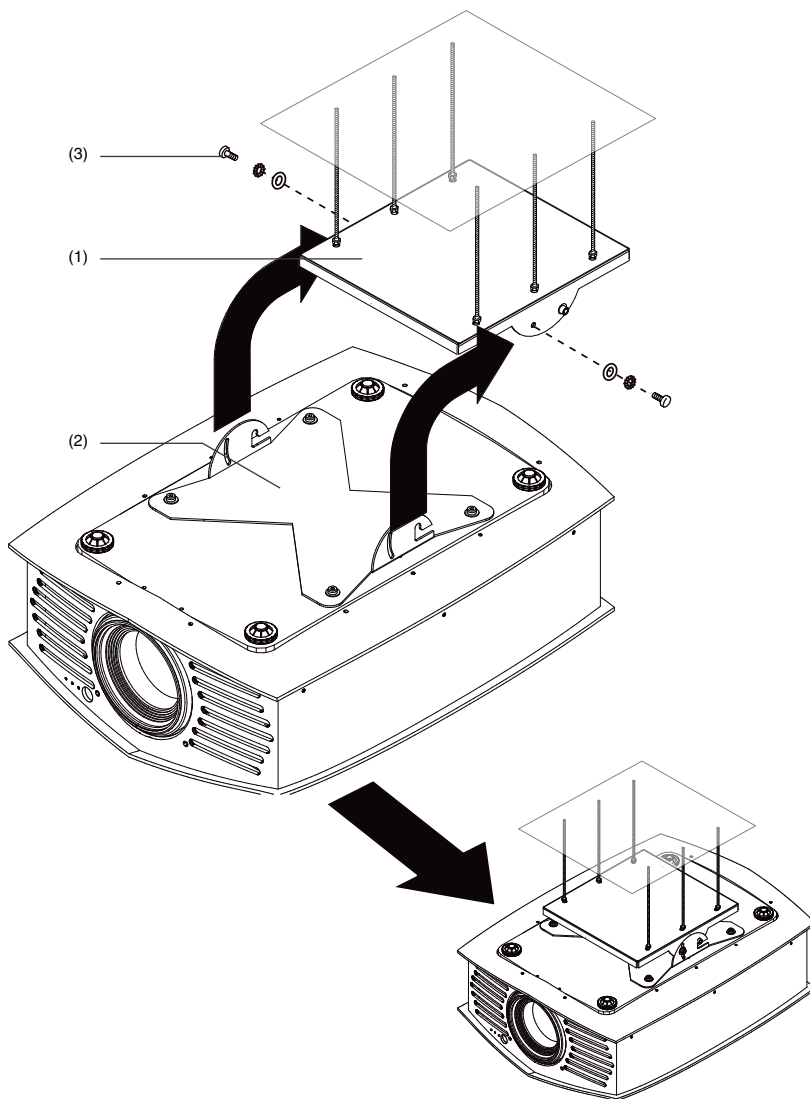
### Preparing the ceiling plate

1. Place the mounting plate (1) on the ceiling so that the projector lens is on the perpendicular axis with the screen.
2. Mark 6 drill holes. See dimensions in the picture below.
3. Drill the holes (40 mm deep)
4. Use injections pegs or coach/lag screws depending on the nature of the ceiling mortar . Note that these are not included
- 5a. Position and fix the ceiling plate using 6 threaded rods (not included). Cut the rods to the desired length and tighten the screws to fix the plate.
- 5b. Position the plate directly to the ceiling and fix it using 6 ceiling screws (not included).



### Fixing the projector to the ceiling

1. Insert and hang the projector with the support plate into ceiling plate (1).
2. Secure this position with the two bolts (3) M6x20.
3. Insert a washer and an overlap lock washer between the bolts and the ceiling plate.



*DreamVision*

**Contact information**

TEC - Dreamvision

[www.dreamvision.net](http://www.dreamvision.net)

Part. No. R699871