

# Siglos 7

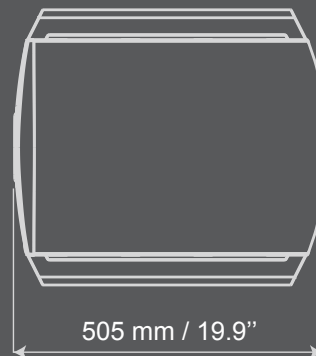
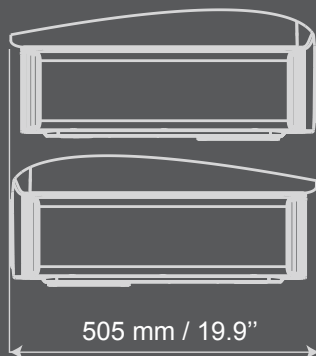
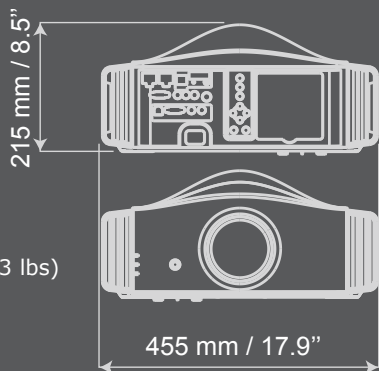
by DreamVision<sup>®</sup>



3D **4K**  
INTERPOLATION  
UHD

4K 3D VIDEO-PROJECTORS  
FOR HOME-CINEMA & SMALL VENUES

Weight  
15.1 kg (33.3 lbs)



MODEL VERSION	SIGLOS+ 1	SIGLOS+ 2	SIGLOS+ 3
P/N RF 3D PACK	R9201601 (2x glasses)	R9201602 (2x glasses)	R9201603 (4x glasses)
P/N PASSIVE 3D PACK	R9201604 (4x glasses)	R9201605 (4x glasses)	R9201606 (4x glasses)
DISPLAY RESOLUTION	3840 x 2160 (4K Resolution)		
COMPATIBILITY	HDR content, 4K streaming services and UHD Blu-ray disks Up to 4K60P 4:4:4/24-bit, 4K60P 4:2:2/36-bit and 4K24P 4:4:4/36-bit		
PANEL TECHNOLOGY	3-chip LCOS HD 0.7 inch panel		
OPTIC	Full-glass Motorized Lens (zoom & focus) 1.4 -2.8:1 (2x zoom)		
OPTIC SLIDE COVER	No	Yes	
SCREEN OFFSET	Motorized Optical Shift +/- 80% vertically +/- 34% horizontally		
SCREEN SIZE (16:9)	60" - 240" diagonal		
LAMP CONSUMPTION	265 W NSH Bulb - up to 4 500 hours (with lamp used in low mode)		
BRIGHTNESS (ANSI LUMENS)	1 700	1 800	1 900
NATIVE CONTRAST RATIO	40 000:1	120 000:1	150 000:1
DYNAMIC CONTRAST RATIO	400 000:1	1 200 000:1	1 500 000:1
COLOR GAMUT	sRGB REC709 (HDTV)	Up to DCI-P3	
NOISE LEVEL	Less than 20 dB (in low mode)		
INPUTS	2x HDMI 2.0 a inputs [with HDCP 2.2 and 18 Gbps transmission band]		
ADJUSTABLE LENS APERTURE	Auto 1, Auto 2, Manual 16 steps		
EXPERT CALIBRATION MENU	NO	YES	
PICTURE MODE PRESETS	3 Presets + 6 User Modes	4 Presets + THX + 6 User Modes + 4 for Installation Expert only	
COLOR SPACE PROFILES	8 Presets + 6 Users	14 Presets + 6 Users	
HOME-CINEMA VIDEO PROCESSING	Blur Reduction and enhanced 400Hz Crystal Motion® (now also available in 3D mode and 4K) True Cinema Black IV ® (new Clear Black algorithm) 4K Interpolation (3840 x 2160) HDR (High Dynamic Range)		
SCREEN ADJUSTMENT	255 Modes		
3D COMPATIBILITY	Frame Packing, Side-by-Side, Top & Bottom (including 720p/1080p24 Side by Side) - 3D anamorphic V-Stretch		
CMS FUNCTIONS	YES (7-Axis)		
WEIGHT	14.3 kg (31.5 lbs)	15.1 kg (33.3 lbs)	
DIMENSIONS (LxWxH)	505 x 455 x 215 mm (19.9 x 17.9 x 8.5 inches)		
HOME AUTOMATION	RS-232 (Dsub 9) / LAN RJ45		
DIGITAL KEYSTONE	YES V+/- 16° (not in 3D Mode)		
POWER VOLTAGE AND CONSUMPTION	AC 110~240V 50/60Hz 360 W / 4.8 W in stand-by / 0.4W in Eco-Mode stand-by		
BOX DIMENSIONS	61x58x41 cm 19.5 kg (67x66x52 cm - 21.5 kg when shipped individually)		
OPTIONS	3D Glasses, anamorphic kit, Ceiling Mount kit, Motorized Lift, special colors and finishes, screens		

Cover screen image: Transformers: Avatar ©