

A NEW ERA OF PROJECTION EXCELLENCE



Talk to us

✉ sales@dreamvision.net

🌐 www.dreamvision.net

📍 Paris, France



Dream Vision[®]
We dream! We hope! We can!



EOS Signature +L

Model No: R9202403+

New BLU-Escent Laser 3,300-lumen
150,000:1 Native Contrast



EOS 2+L

Model No: R9202402+

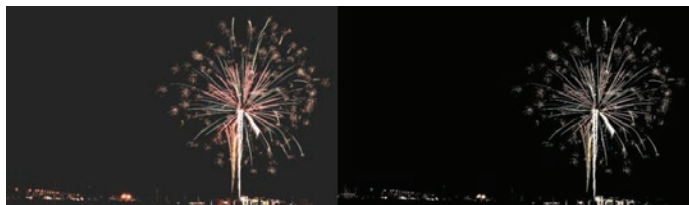
New BLU-Escent Laser 2,700-lumen
100,000:1 Native Contrast

Precision in 8K Mastery

The advanced 8K/e-shift technology ensures unparalleled image sharpness, redefining clarity by delivering ultra-detailed visuals that immerse you in every frame, whether for movies or presentations.

Immersive Contrast Brilliance

Experience extraordinary depth with dynamic contrast ratios—EOS Signature's astounding 1,500,000:1 and EOS 2+L's impressive 1,000,000:1—providing stunning detail in shadows and highlights, making visuals truly lifelike.

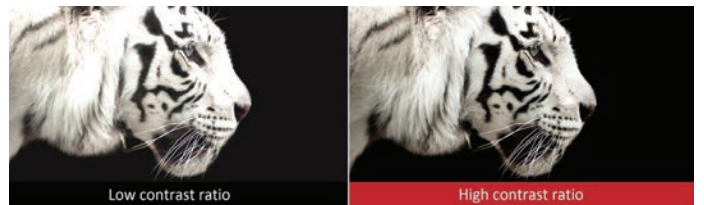


Flexible Installation with Lens Shift

The EOS 2+L offers versatile setup options, including a 2x powered zoom and lens shift capabilities ($\pm 80\%$ vertical, $\pm 34\%$ horizontal), allowing for seamless installation even in challenging spaces.

High Contrast and Deep Black Levels

With a contrast ratio of 100,000:1 and an advanced laser diode, the EOS 2+L provides impressive black levels and fine detail in dark scenes, delivering a truly cinematic experience with enhanced depth and realism.



HDR10+ Frame Adapt for Stunning Detail

Both projectors are equipped with HDR10+ Frame Adapt, optimizing HDR content for perfect brightness, contrast, and detail in every frame.



Tone Mapping
1

Tone Mapping
2

With HDR10+
Frame Adapt

3D Viewing Capabilities

The projector is fully compatible with various 3D formats, including Frame Packing, Side-by-Side, and Top-and-Bottom, making it a great choice for 3D movie lovers



Step into the Action: Experience True 3D Immersion with the EOS 2+L Projector.



EOS Light+

Model No: R9202401+

New BLU-Escent Laser 2,300-lumen
80,000:1 Native Contrast



EOS Light

Model No: R9202400+

New BLU-Escent Laser 2,000-lumen
40,000:1 Native Contrast

Unmatched 4K Resolution

Both models offer native 4K resolution (4096 x 2160), delivering breathtakingly sharp and detailed visuals for an unparalleled home theater experience.

Enhanced Brightness for Clear Viewing

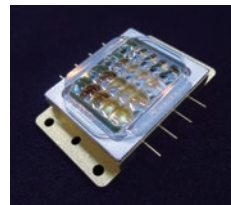
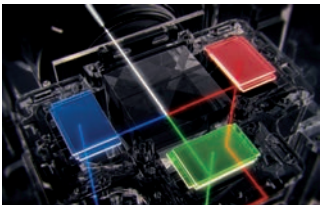
The EOS Light+ shines brighter at 2,300 lumens, while the EOS Light offers 2,000 lumens, ensuring clear and sharp images in various lighting conditions.

Vivid Colors with Wide Gamut

Enjoy stunning, accurate colors with a wide color gamut that supports the BT.2020 color standard, ensuring vibrant and true-to-life images.

Long-lasting Light Source

With light source, both projectors offer durable and consistent performance for years of entertainment.

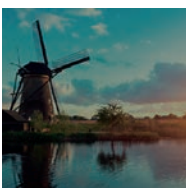


HDR10+ Frame Adapt for Stunning Detail

Both projectors are equipped with HDR10+ Frame Adapt, optimizing HDR content for perfect brightness, contrast, and detail in every frame.

Advanced Image Processing

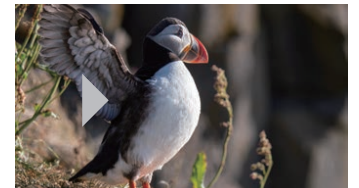
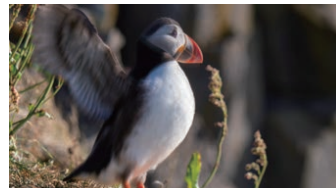
Both models use D-ILA technology and advanced image processing for smoother motion, better clarity, and more natural-looking images.



Original Image

Frame Adapt HDR (Conventional)

Frame Adapt HDR Generation 2



Clear Motion Drive: Off

Clear Motion Drive: On

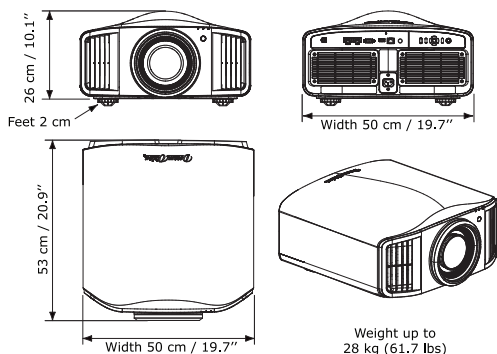
Specifications

GENERAL		EOS Signature+L	EOS 2+L	EOS Light+	EOS Light
Device		0.69-inch Native 4K D-ILA Device (4,096 x 2,160) x3			
Display Resolution		8,192 x 4,320 (Gen2 8K/e-shiftX)		4,096 x 2,160 (Native)	
Lens	Type	x2 motorized zoom & focus, all-glass lens		x1.6 motorized zoom & focus, native 4K lens	
	Diameter	100 mm	65 mm	80 mm	
Lens Shift (motorized in 16:9 aspect ratio)	Vertical	±100%	±80%	±70%	
	Horizontal	±43%	±34%	±28%	
Projection Display Size (diagonal)		60 inch – 300 inch	60 inch – 200 inch		
Light Source		BLU-Escent Laser diode			
Brightness		3,300 lm	2,700 lm	2,300 lm	2,000 lm
Contrast Ratio	Dynamic	∞:1			
	Native	150,000:1	100,000:1	80,000:1	40,000:1
Cinema Filter (Color Gamut)		DCI 98%/BT.2020 73%			sRGB 100%
Input Terminal	HDMI	2 (48 Gbps/HDCP 2.3, no CEC support)		2 (32 Gbps/HDCP 2.3, no CEC support)	
	TRIGGER	1 (Mini Jack, DC 12 V/100 mA)		—	—
Output Terminal	3D SYNCHRO	1 (Mini Din 3-pin)		—	—
	RS 232C	1 (D-sub 9pin)		—	—
Control Terminal	LAN	1 (RJ45)			
	SERVICE	1 (USB Type A) for firmware update and backing up settings			
Power Consumption	Projector in Use	440 W		280W	
	Eco-mode Standby			0.3 W	
	Standby			1.5 W	
Fan Noise		24 dB (LD power at minimum)		23 dB (LD power at minimum)	
Power Requirement		AC 100-240V, 50/60Hz			
Dimensions (W x H x D, including feet)		19-11/16 in x 9-7/32 in x 20-13/16 in / 500 mm x 260 mm x 528 mm	19-11/16 in x 9-7/32 in x 19-29/32 in / 500 mm x 260 mm x 505 mm	17-23/32 in x 7-5/32 in x 18-7/8 in / 450 mm x 181 mm x 479 mm	
Weight (net)		55.7 lb. / 25.3 kg	50.9 lb. / 23.1 kg	32.6 lb. / 14.8 kg	32.2 lb. / 14.6 kg

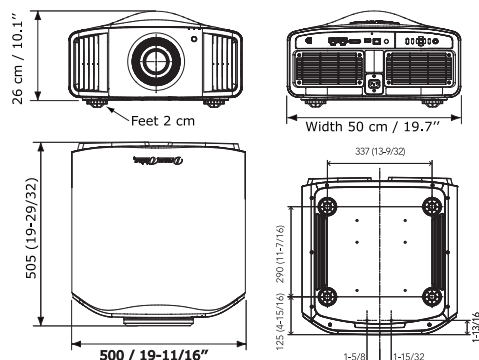
FEATURES		EOS Signature+L	EOS 2+L	EOS Light+	EOS Light
Max Input		80K60p and 4K120p		4K60p	
Light Source Control by Slider Adjustment		101 steps			
Ultra-High Contrast Optics		•			
HDR	HDR10+	•			
	HLG	•			
	Mastering Info Display	• (Max CLL/Max FALL/DML)			
	Frame Adapt HDR Gen2	•			
	Deep Black Tone Control	•			
Theater Optimizer		•	—	—	—
"Vivid" Mode for SDR		•			
FILMMAKER MODE™		•			
3D Support		•	—	—	—
Clear Motion Drive		•	• (black frame insertion at 60Hz input only)		
Motion Enhance		•	—	—	—
Low Latency Mode		•	—	—	—
Auto Calibration		•			
Installation Mode		• (max. 10 memories)		• (max. 5 memories)	
ISFccc Certification		•			
Screen Adjustment Mode		•			
USB Back-up		•			

Note: Values are typical. Depends on the projector setting conditions and usage environment.

EOS Signature+L



EOS 2+L



EOS Light+ / EOS Light

