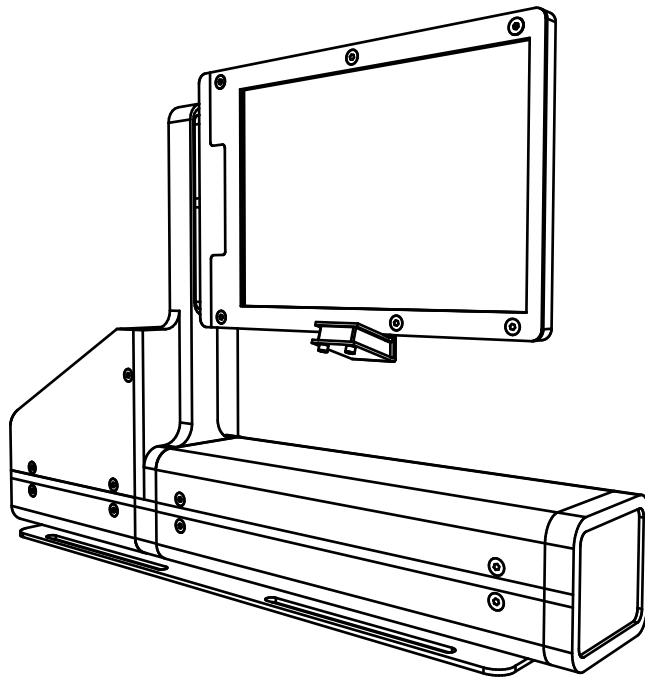


*DreamVision*<sup>®</sup>

**VeryBEST**  
Bi-level Efficiency Stereo Transmitter

**3D PASSIVE**

**INSTALLATION MANUAL**



[www.dreamvision.net](http://www.dreamvision.net)

---

## **Changes**

Dreamvision provides this manual 'as is' without warranty of any kind, either expressed or implied, including but not limited to the implied warranties or merchantability and fitness for a particular purpose. Dreamvision may make improvements and/or changes to the product(s) and/or the program(s) described in this publication at any time without notice.

This publication could contain technical inaccuracies or typographical errors. Changes are periodically made to the information in this publication; these changes are incorporated in new editions of this publication.

## **Copyright**

All right reserved. No part of this document may be copied, reproduced or translated. It shall not otherwise be recorded, transmitted or stored in a retrieval system without the prior written consent of Dreamvision.

## **Guarantee**

Dreamvision provides a guarantee relating to perfect manufacturing as part of the legally stipulated terms of guarantee. On receipt, the purchaser must immediately inspect all delivered goods for damage incurred during transport, as well as for material and manufacturing faults. Dreamvision must be informed immediately in writing of any complaints. If the purchaser or third party carries out modifications or repairs on goods delivered by Dreamvision, or if the goods are handle incorrectly, in particular if the systems are commissioned operated incorrectly or if, after the transfer of risks, the goods are subject to influences not agreed upon in the contract, all guarantee claims of the purchaser will be rendered invalid. Not included in the guarantee coverage are system failures which are attributed to programs or special electronic circuitry provided by the purchaser, e.g. interfaces. Normal wear as well as normal maintenance are not subject to the guarantee provided by Dreamvision either.

The environmental conditions as well as the servicing and maintenance regulations specified in this manual must be complied with by the customer.

## **Trademarks**

Brand and product names mentioned in this manual may be trademarks, registered trademarks or copyrights of their respective holders. All brands and product names mentioned in this manual serve as comments or examples and are not to be understood as advertising for the products of their manufactures.

---

# TABLE OF CONTENTS

<b>1.0</b>	<b>SAFETY INSTRUCTIONS</b> .....	<b>4</b>
1.1	Important Information .....	4
1.2	Regional Specific Information.....	4
1.3	Important Safeguards .....	4
<b>2.0</b>	<b>OVERVIEW</b> .....	<b>5</b>
2.1	Description .....	5
2.2	Requirements.....	5
<b>3.0</b>	<b>INSTALLATION</b> .....	<b>5</b>
3.1	Air-Flow and Space Requirements.....	5
3.2	Polarizer Position .....	6
3.3	Table Mounting .....	7
3.4	Ceiling Mounting .....	8
3.5	Drilling holes distances .....	8
<b>4.0</b>	<b>GETTING STARTED</b> .....	<b>9</b>
4.1	Front Side .....	9
4.2	Rear side .....	9
4.3	Side View and Connections panel .....	9
4.4	Projector settings .....	10
<b>5.0</b>	<b>CONNECTIONS</b> .....	<b>10</b>
5.1	Caution when connecting or disconnecting a device .....	10
5.2	Connecting the main power.....	10
5.3	Power On / Off this unit .....	10
5.4	Connecting a 3D Syncro signal to the Kit.....	11
5.5	Connecting this unit to the Network.....	11
<b>6.0</b>	<b>OPERATING SYSTEM</b> .....	<b>11</b>
6.1	OSD on the Touch Screen .....	11
6.2	Polarity setting.....	12
6.3	Syncro delay setting .....	12
6.4	Temperature and Fan Speed .....	12
6.5	Modifying the settings using the Ethernet Connection .....	12
6.6	Connecting this unit using WiFi.....	12
6.7	Advanced settings.....	12
<b>7.0</b>	<b>TROUBLESHOOTING</b> .....	<b>13</b>
<b>8.0</b>	<b>DIMENSIONS</b> .....	<b>14</b>

# 1.0 SAFETY INSTRUCTIONS

## 1.1 Important Information

---

### Information for Users on Disposal information



This symbol indicates that the electrical and electronic equipment should not be disposed as general household waste at its end of life. Instead, the product should be handed over to the applicable collection point for the recycling of electrical and electronic equipment for proper treatment, recovery and recycling in accordance with your national legislation.

By disposing of this product correctly, you will help to conserve natural resources and will help prevent potential negative effects on the environment and human health which could otherwise be caused by inappropriate waste handling of this product.

For more information about collection point and recycling of this product, please contact your local municipal office, your household waste disposal service or the shop where you purchased the product. Penalties may be applicable for incorrect disposal of this waste, in accordance with national legislation.

## 1.2 Regional Specific Information

---

### CE mark and Directive 2011/65/EU - ROHS 2 (Europe only)

In accordance with Article 7 and the adoption into national law by 2nd January 2013, this product has been designed and manufactured in accordance with Article 4. The technical documentation and the written declaration of conformity that assesses the product conformity can be provided to the competent National Authority upon an email request to: rohs2@dreamvision.net

### Other Countries outside the European Union:

If you wish to dispose of this product, please do so in accordance with applicable national legislation or other rules in your country for the treatment of old electrical and electronic equipment.

### FCC Information (USA only)

Changes or modification not approved by Dreamvision could void the user's authority to operate the equipment. Note: This equipment has been tested and found to comply with the limits for Class B digital devices, pursuant to Part 15 of the FCC Rules. These limits are designed to provide reasonable protection against harmful interference in a residential installation. This equipment generates, uses, and can radiate radio frequency energy and, if not installed and used in accordance with the instructions, may cause harmful interference to radio communications. However, there is no guarantee that interference will not occur in a particular installation.

### About the installation place

Do not install this unit in a place that cannot support its weight securely. If the installation place is not sturdy enough, the polarizer could fall or overturn, possibly causing personal injury.



To prevent fire or shock hazards, do not expose this appliance to rain or moisture.

---

## 1.3 Important Safeguards

---

Electrical energy can perform many useful functions. This unit has been engineered and manufactured to assure your personal safety. **IMPROPER USE CAN RESULT IN POTENTIAL ELECTRICAL SHOCK OR FIRE HAZARD.** In order not to defeat the safeguards incorporated into this product, observe the following basic rules for its installation, use and service.



The power input is auto-ranging from 110 to 240 VAC 50Hz/60Hz.

---

## 2.0 OVERVIEW

### 2.1 Description

The Very BEST 3D Passive Kit is the latest Dreamvision 3D passive kit using the fastest and most efficient technologies. The polarization modulator is intended to be used in front of compatible projectors to generate 3D stereoscopic images using ultra-light passive 3D glasses.

This kit is also suitable for professional applications and can be used in numerous applications such as 3D presentations, shows, conferences, lectures, as well as for simulations and high-quality visualizations, up to 32,000 lumens.

The latest PiCell polarizing technology, allows rapid setups and optimal performances, together with a clear and bright 3D image.

### 2.2 Requirements

To perform normally, this kit needs a 3D source, connected to a projector equipped with a standard VESA 3D or a BNC syncro. A polarized screen and passive glasses with circular polarization are also required.

#### 3D source and 3D projector

The Very BEST 3D Passive Kit is optimized for the Siglos and Siglos+ projector Series. But it also has great performances with a majority of single chip and three-chip DLP projectors. To perform well, the projector should be able to send a synchronization signal through a BNC or VESA mini-DIN3 connector. If you have any doubt about the projector compatibility, please consult your dealer.

#### Polarization preserving screen fabric

In order to view a 3D image of the highest quality, a polarization preserving screen is required, such screens are also historically called "silver screens". They are specifically designed for 3D projection. In the case that the screen is not designed for 3D, the 3D picture may be uncomfortable, blurry with a lot of ghosting and crosstalk phenomena.

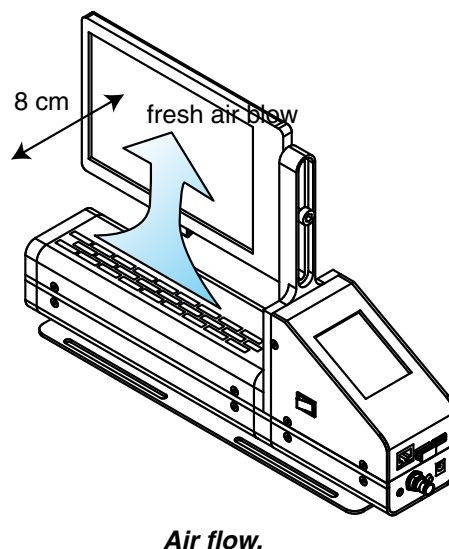
#### 3D Glasses

To fully enjoy the performances of the kit, use one of our 3D glasses references. You can also use any 3D glasses possessing circular polarization such as the ones used in commercial theaters.

## 3.0 INSTALLATION

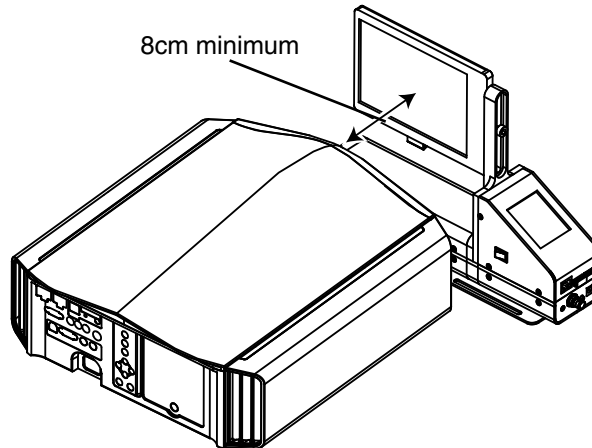
### 3.1 Air-Flow and Space Requirements

This unit can be installed in table or ceiling position. Make sure that the unit is installed so that the air flow is not obstructed as described below.



### Minimum distance

The distance between the lens of the projector and the Very BEST 3D Passive Kit window must be at least 8 cm.



*Minimum distance to the projector lens must be at least 8 cm.*

### Important limitation: the projector minimum Throw Ratio

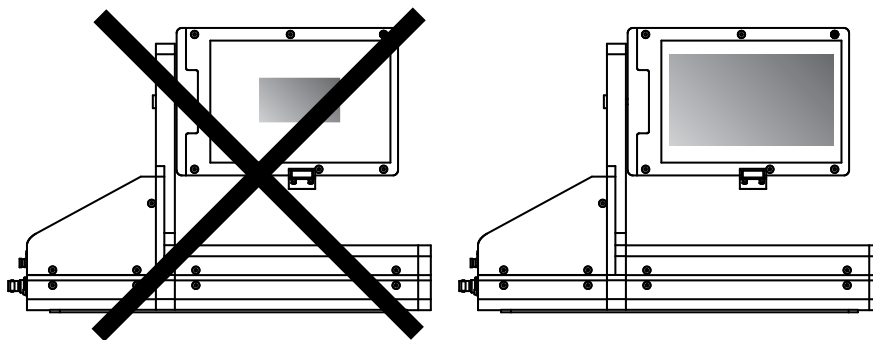
Before making any installation, make sure that the projector throw ratio is compatible with the configuration required. To be compatible, the TR must be at least 0.55:1, and the environment setup would be as such that the light beam can use the maximum surface of the frame window. The light beam should go through the polarizing window without touching the metallic frame.

## 3.2 Polarizer Position

---

### Optimum window fill ratio

To optimize the Very BEST 3D Passive Kit performances, the projected picture must completely fill the polarizing window. Depending on the configured zoom, the distance to the kit may vary.



*Adjust the projection zoom and distance to obtain the maximum fill ratio.*

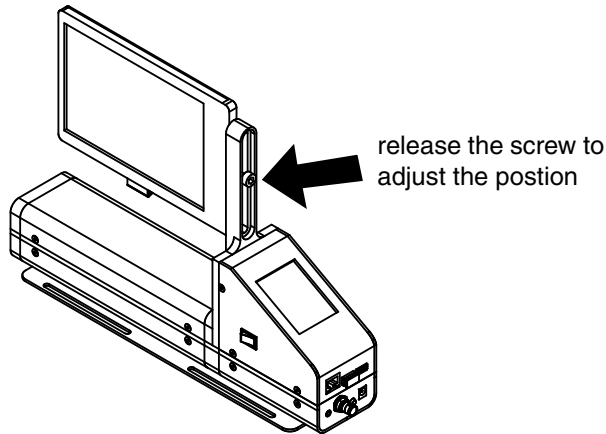


It is important to ensure that the device is compatible with the configuration required. The “Throw Ratio” must be  $> 0.55:1$  to ensure that the minimum distance of 8 cm is attained and that the projector light beam doesn't go beyond the frame limits.

---

### Adjusting the frame height

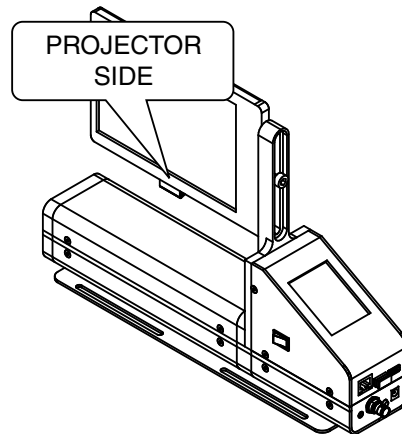
The position of the frame can be adjusted. To raise, lower or tilt the frame you must release the screw located on the side of this unit using the supplied Allen wrench. Move the frame to the desired position before tightening the screw.



*Adjusting the height and tilt of the polarizing frame.*

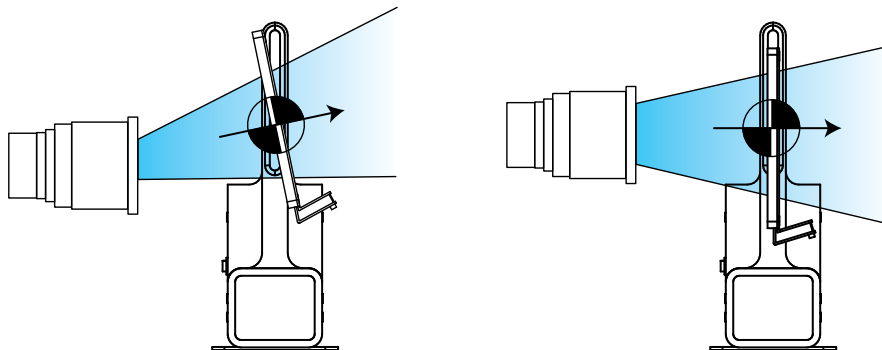
### 3.3 Table Mounting

The Very BEST 3D Passive Kit should be placed on a flat and stable surface then fixed with 4 screws. It should also be placed in front of the projector lens, the side with a "Projector Side" label printed on it facing the lens.



*Make sure to place the projection device on the "Projector Side" label side.*

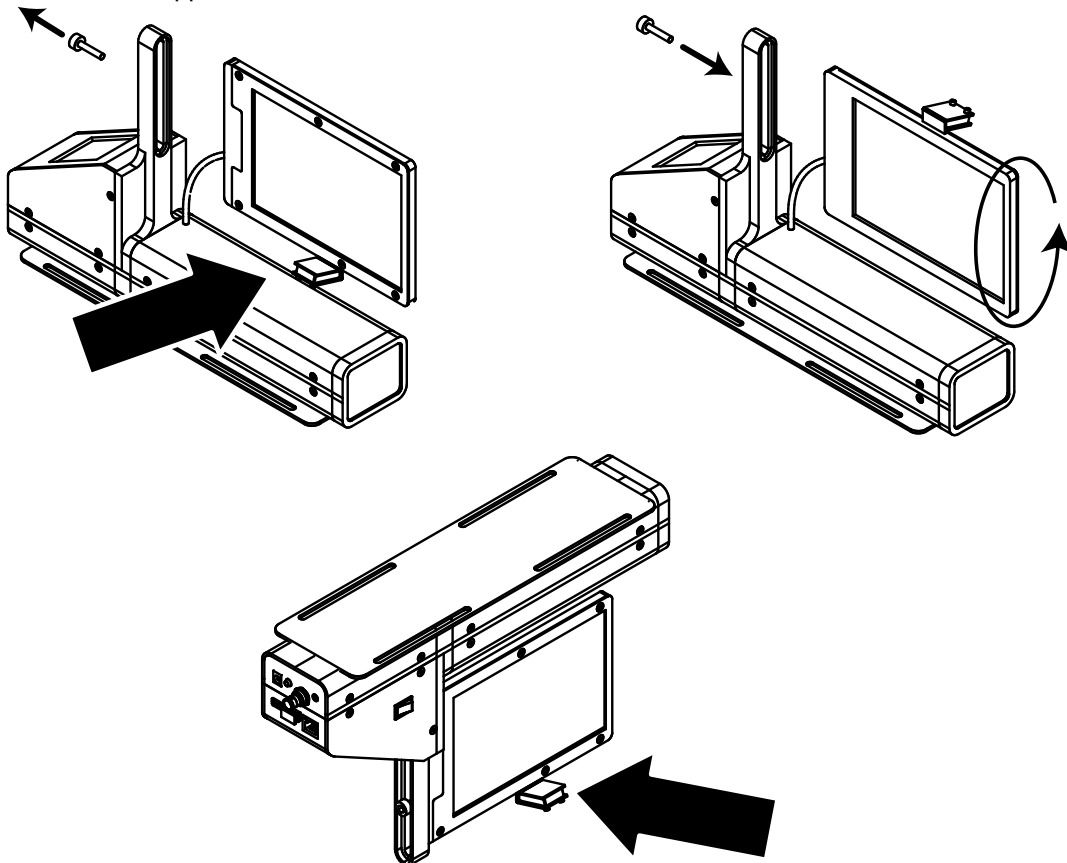
The polarizer of the window should be approximately perpendicular to the axis of the luminous flux.



*Adjust the frame tilt so it is perpendicular to the projector beam.*

### 3.4 Ceiling Mounting

It is possible to fix the Very BEST 3D Passive Kit to the ceiling. In this case it is necessary to reverse the direction of the frame on its support.

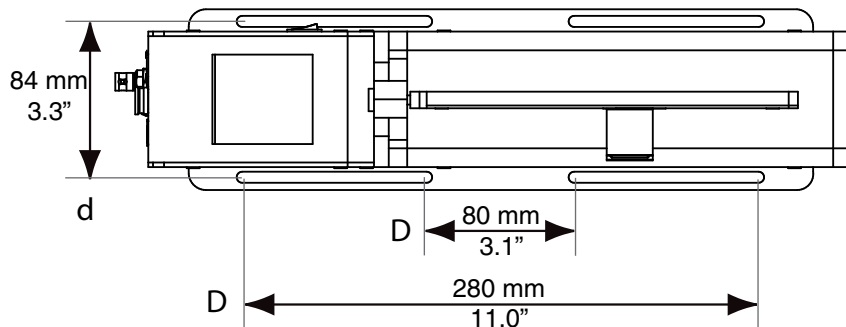


***If installing in ceiling position, the frame must be reversed to show the thermal sensor at the bottom. When reversing the window frame, make sure to insert the cable in the new position.***

#### Special instructions when ceiling-mounting this unit

- To ceiling-mount this unit, special expertise and techniques are necessary. Be sure to ask your dealer or specialist to perform mounting.
- Do not mount at places that may be subjected to vibration and shock.
- Depth of the screw holes should be sufficient to support the total weight of this unit (6 Kg).
- Regardless whether the unit is still under guarantee, Dreamvision is not liable for any product damage caused by mounting the unit with third party ceiling mount or when the environment is not suitable for ceiling-mount.

### 3.5 Drilling holes distances

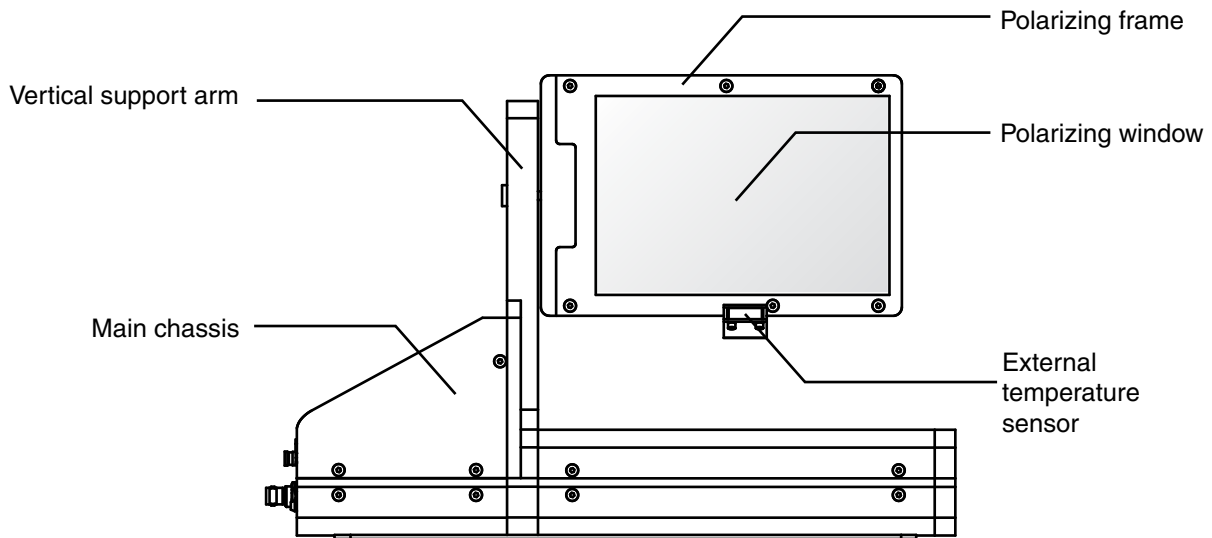


***Drilling holes for table or ceiling mounting.***

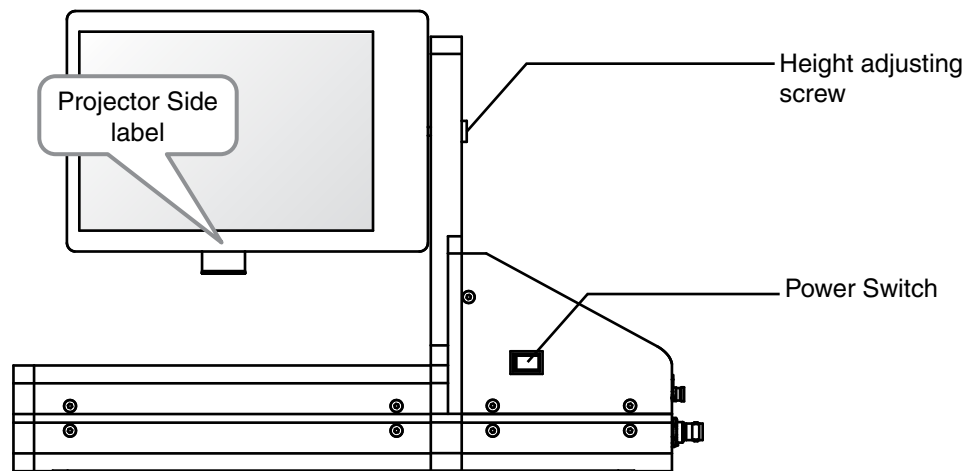
- Distance between front and back holes is  $d = 84 \text{ mm}$ , 3.3"
- Distance between left and right screws is between  $D = 80 \text{ mm}$  and 280 mm

## 4.0 GETTING STARTED

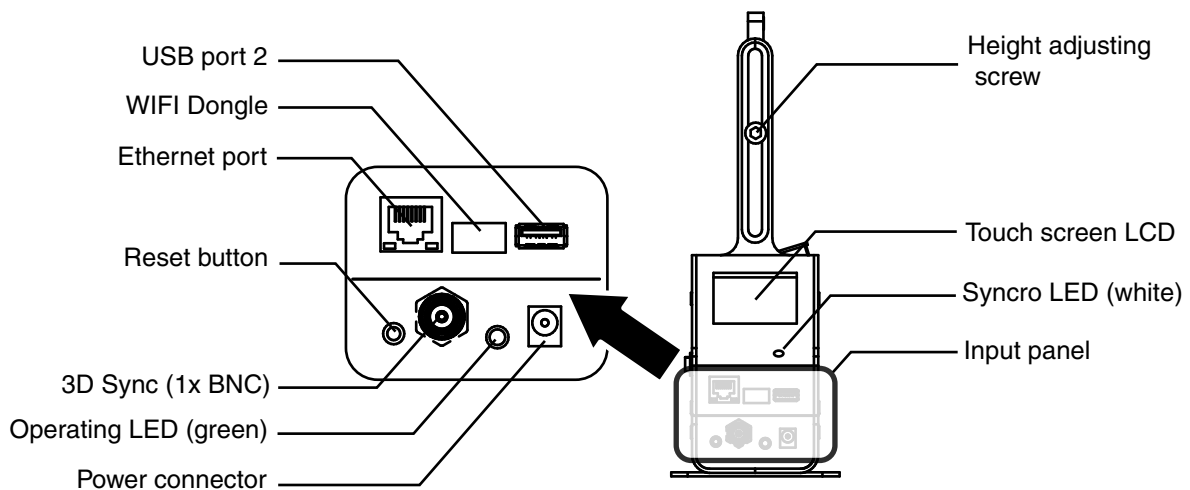
### 4.1 Front Side



### 4.2 Rear side



### 4.3 Side View and Connections panel



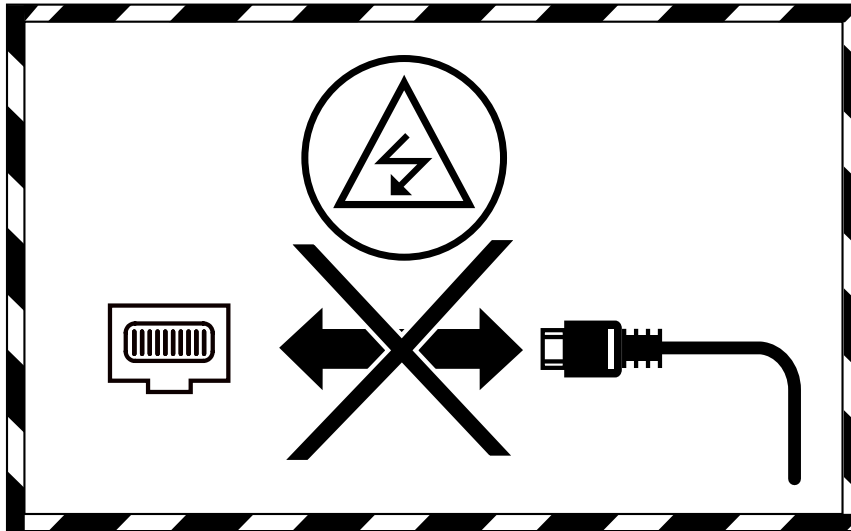
***On the side of this unit is located the connections panel***

## 4.4 Projector settings

If this unit is installed with a DLP projector, you can browse into the projector's menu and search for the "Dark Time" parameter in the 3D settings menu. The "Dark Time" should be adjusted to 0  $\mu$ s and the "delay" should also be adjusted to 0  $\mu$ s.

# 5.0 CONNECTIONS

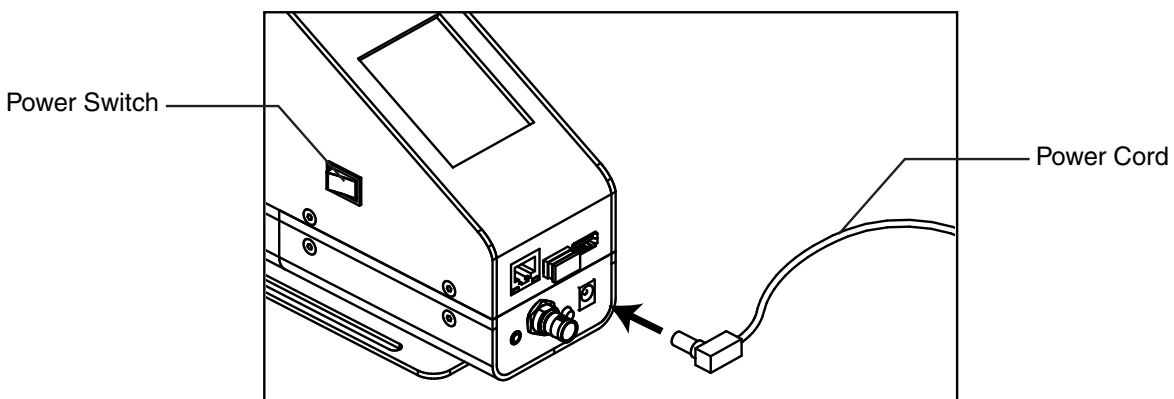
## 5.1 Caution when connecting or disconnecting a device



Prior to connecting or disconnecting any device to this unit, switch the Very BEST 3D Passive Kit in standby mode. To do so, use the interrupter et switch it to the Off position and wait until complete shutdown of the LCD screen.

## 5.2 Connecting the main power

Connect the Power Supply to the main power  
Then connect the power supply power cord to the power connector on this unit.



*Connecting the Power Cord*

## 5.3 Power On / Off this unit

### Power On

To Power ON the Very BEST 3D Passive Kit, check that the power supply is correctly connected to this unit and press the Power switch to the ON position, indicated by a "I" label. Wait until the unit has completed its boot sequence on the Touch Screen LCD.

### Power Off

To Power Off this unit, press the Power Switch in the Off position, indicated by a “O” label, and wait until the unit is completely Off and that the green Operating Led shuts Off.



For safety reasons, avoid to plug or unplug any connection when this unit is running and that the operating LED (green) is light ON.

## 5.4 Connecting a 3D Syncro signal to the Kit

This unit is equipped with a native BNC male syncro connector and it comes with 2 different syncro wires to connect the device to a large panel of 3D projectors. Use the best suited cable that fits your install:

- Standard VESA Mini-DIN 3 to BNC female cable
- BNC female to BNC female cable



This unit will automatically detect the voltage level between 5V and 12V.

## 5.5 Connecting this unit to the Network

### Local Area Network (LAN)

Connect this unit to the LAN, inserting the ethernet cable into the available Ethernet port located on the connection panel.

### Wireless Network



This unit comes with a WiFi dongle connected to one of its USB ports. For the correct behavior of the product, it is essential to keep the WiFi dongle connected.

# 6.0 OPERATING SYSTEM

## 6.1 OSD on the Touch Screen

This unit boots on its own Operating System (OS) that is displayed on the Touch Screen, from which you have access to the most common settings.

<b>96,0<sub>Hz</sub></b>	<b>Polarity:</b> Normal
	<b>Delay Sync:</b> 0 μs
<b>Temperature:</b> 26°C	<b>Fan:</b> Auto: 30%
<b>Alerts and Error Messages</b>	
<b>IP : 192.168.2.123</b> <b>Date / Time</b> <b>Ver. LCV150130_V00.05.00</b>	

*OSD on the Touch Screen.*

Table	Description
Current Frequency (in Hz)	Displays the current 3D synchro frequency.
Polarity setting	Displays the current setting Normal or Inverted
Sync Delay setting (in $\mu$ s)	Displays the current Sync setting.
Temperature (in $^{\circ}$ C)	Displays the Polarizing window temperature
Fan Mode and Speed (in %)	Displays the current fan setting: can be Auto or Fixed
Alerts and Error Messages	This table may vary depending of the current state of this unit
General info	Displays the current IP, Date, Time and Software version.

## 6.2 Polarity setting

To change the Polarity setting, press on the “Polarity” box, then press on the desired setting and confirm by pressing the “Save” button. Available settings: Normal or Inverted.

## 6.3 Synchro delay setting

To change the Synchro delay setting, press on the “Delay Sync” box, then select the desired setting. Confirm the new value by pressing the “Save” button. Available settings from -5000 up to +5000  $\mu$ s.

## 6.4 Temperature and Fan Speed

The temperature is continuously monitored and controlled by Operating System. The fan speed is adjusted automatically according to the temperature measured.

## 6.5 Modifying the settings using the Ethernet Connection

To access the general settings of this unit, it can be done by using the ethernet connection and an internet browser from a computer, tablet or smartphone. To do so:

- Open a new window in your browser
- Type in the address field the IP of this unit. By default it is 192.168.2.123 and confirm.

## 6.6 Connecting this unit using WiFi

To access wirelessly the settings of this unit, please check that the WiFi dongle is correctly inserted into the USB port then activate the WiFi on your device to join the WiFi network SSID.

The default SSID is VOLFONI\_XXXXX, and enter the “Volfoni1RD” password when prompted. Open a browser on your device connected to the WiFi and enter the WLAN IP which is 10.10.0.1 by default.

## 6.7 Advanced settings

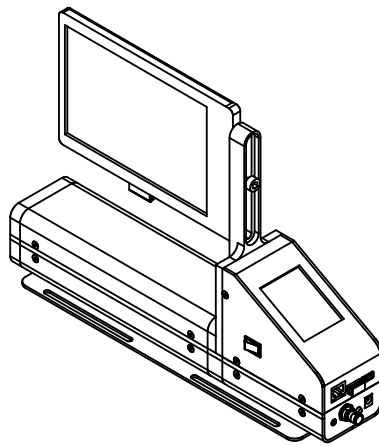
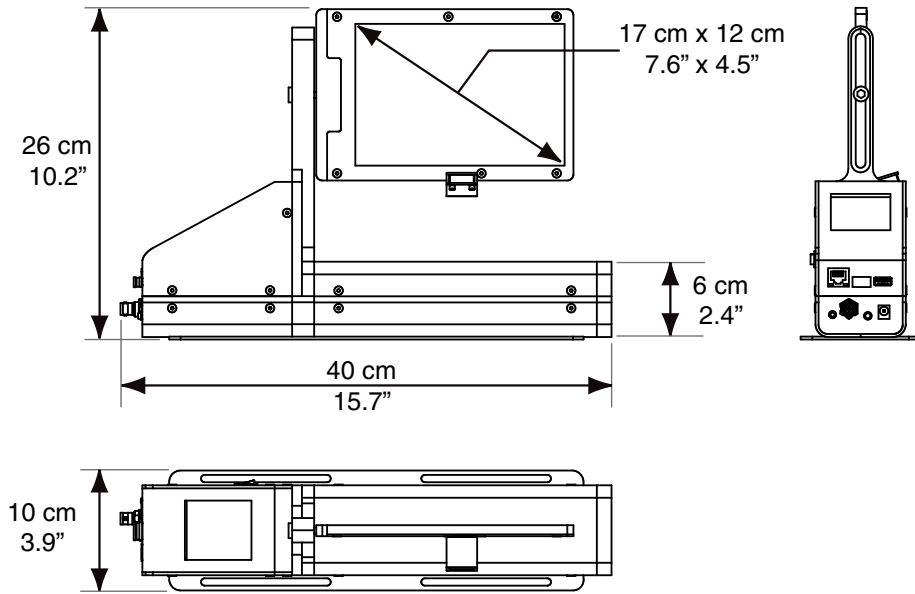
When connecting with your browser, you have access to advanced settings as follow:

Settings	Description
Sync Delay	-5000 $\mu$ s up to +5000 $\mu$ s (within 100 $\mu$ s steps)
IP Settings	Change network configuration
Rotate 180 $^{\circ}$	Reverses the display direction (up/down) for ceiling mounting
Date/Time	Adjust the current date and time
Fan control	Selects the mode operation of the fan. On: the fan is always On at 100% speed Auto: the fan speed varies with the polarizer temperature
Alarm settings	Determines the threshold for the system alarms: LCD Temperature Threshold and Dysfunctions
Product Update	Updating one or more system features.
Log	Retrieve the log files stored on the system.
Log Settings	Configure the logging parameters.

## 7.0 TROUBLESHOOTING

Symptoms	Possible reasons	Solutions
Picture is hazy, poor contrast	Focus may be incorrectly set	Fix the lens focus
	The protective films on the front and polarizing window have not been removed	Check if the protective films have been removed
	Presence of fingerprints or dirt on the lens and/or on the polarizer	Clean the polarizer with the appropriate equipment, i.e using nonabrasive cloth
No 3D effect	Problem with the silvered screen	Check if the screen is silver and designed for 3D
	Projector settings are not correct	Check if the values 'Dark Time' and 'Delay' are configured correctly.
No 3D effect	This unit is not connected to the projector's 3D synchronization signal.	Check the connections and the status of the syncro LED (white).
	This unit is not connected to the main power.	The Operating LED (green) must be light On when this unit is On.
	The projection window of the booth depolarizes the light.	Remove the window to make sure it doesn't affect the light polarization
Picture is too dark	The power of the projector lamp is too low.	Change the lamp settings
	The lamp settings are not properly adjusted.	
The image seems to be in 3D but the rendering is uncomfortable	The eye polarity (left / right eyes) is probably reversed in the projector or on this unit.	Go into the settings and change the current .Polarity setting.
Flickering picture	The content is not 3D	Check that the source is in 3D
	The 3D format is not supported by the projector	Check that the frame rate on the Touch Screen is higher than 60Hz (typically 96Hz or 120Hz)

# 8.0 DIMENSIONS





*DreamVision*

**Contact information**

TEC - DreamVision  
7, rue La Caille, 75017 Paris, France

[www.dreamvision.net](http://www.dreamvision.net)